



AUSTRALIAN WIND AND SOLAR

Your best solution for all your power needs

# AWS400



## 400W WIND TURBINE

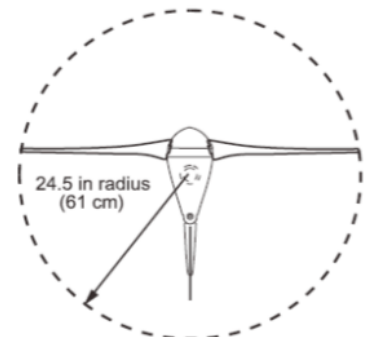
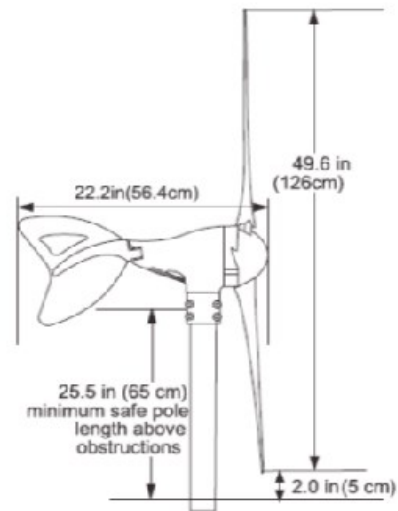


[www.australianwindandsolar.com](http://www.australianwindandsolar.com)



### AWS400 Wind Turbine Specifications

<b>WIND TURBINE TYPE</b>	Horizontal axis, up-wind
<b>ROTOR DIAMETER</b>	1.2m (47 inches)
<b>WEIGHT</b>	5.6kg (12.3 lbs)
<b>MOUNT</b>	1.5" schedule 40 pipe (1.9" OD, 48 mm)
<b>MAGNETIC MATERIAL</b>	NdFeB (Neodymium Iron Boron)
<b>SHAFT BEARING</b>	High Standard Sealed Bearing
<b>SHAFT</b>	Stainless Steel
<b>FASTENERS (NUTS AND BOLTS)</b>	Stainless Steel
<b>START-UP WIND SPEED</b>	3.13 m/s (7 mph)
<b>VOLTAGE</b>	DC12V and DC24V
<b>RATED POWER</b>	400 watts at 12.5m/s (28mph)
<b>CONTROLLER</b>	Microprocessor-based smart external regulator with Peak Power Tracking
<b>BLADES</b>	Carbon Fibre Composite
<b>BODY</b>	Cast aluminium (Marine is powder coated for corrosion protection)
<b>ENERGY PRODUCTION</b>	38 kWh/mo @ 5.4m/s (12mph)
<b>WARRANTY</b>	3 Year Limited Warranty
<b>MAXIMUM WIND SPEED</b>	49.2 m/s (110 mph)
<b>OVER-SPEED PROTECTION</b>	Electronic torque control



MONTHLY ENERGY (KWH)

