



AUSTRALIAN WIND AND SOLAR

Your best solution for all your power needs

AWS2000



1-2kW WIND TURBINE

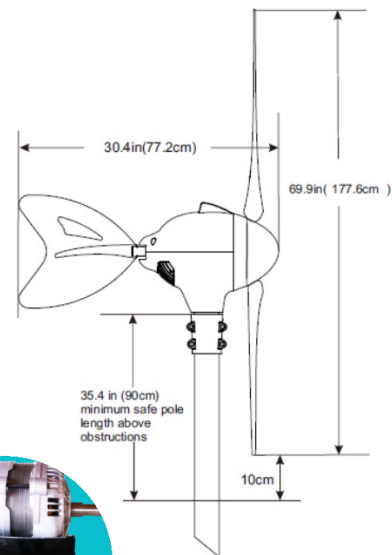
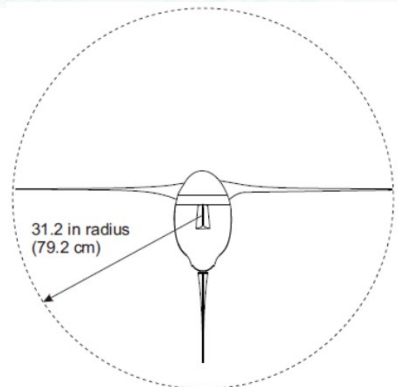


www.australianwindandsolar.com



AWS2000 Wind Turbine Specifications

WIND TURBINE TYPE	Horizontal axis, up-wind
UPC CODE	839290007075
ROTOR DIAMETER	1776mm (69.9")
WEIGHT	18kg (38lbs)
MOUNT DIAMETER	48.6mm (1-15/16")
NUMBER OF BLADES	3
BLADE MATERIAL	Carbon fibre
BLADE MASS (PER PIECE)	532g
BODY MATERIAL	Aluminium diecast
PRODUCT FINISH	Teflon-based paint
GENERATOR	Synchronous-type, three phase power generator with neodymium iron boron magnets
CONTROLLER	Built-in
YAW CONTROL	Free yaw (360 degrees)
OVER WIND CONTROL	Stall control
START-UP WIND SPEED	3m/s (11KPH, 6.7MPH)
CUT-OUT WIND SPEED	20m/s (72KPH, 45MPH)
SURVIVAL WIND SPEED	49.2m/s (177KPH, 110MPH)
RATED POWER	1kW (12.5m/s, 45KPH, 28MPH)
RATED ROTOR SPEED	1000rpm
MAXIMUM POWER	2kW (20m/s, 72KPH, 45MPH)
OUTPUT VOLTAGE	DC24V or DC48V
BRAKING SYSTEM	Regenerative electromagnetic braking system
RECOMMENDED SYSTEM	Off-grid: deep cycle lead acid battery, 420Ah or more



Internal MPPT controller

